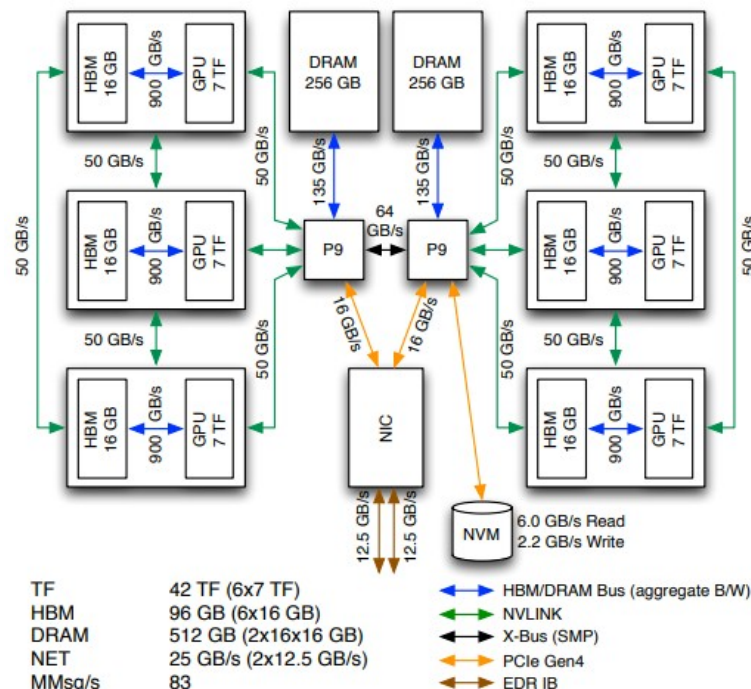


Summit (IBM POWER9+NVIDIA Volta) Node installed

Experimental Computing Lab (ExCL) managed by the ORNL Future Technologies Group

IBM Summit Node with 6 Nvidia Tesla V100 GPUs (8335-GTX)

- Same CPU/GPU/Memory as nodes in OLCF Summit
 - 2 Power9 CPUs (IBM 02CY209)
 - 22 Cores each, 4 threads/core
 - 606GiB main memory
 - 6 Tesla V100 SXM2 16GB GPUs
- Provides a development and evaluation environment for Power9/V100 GPUs
- Tracks (as closely as possible) the software stack in use on Summit
- Shared / Queued / Single User availability modes will be available



HBM & DRAM speeds are aggregate (Read+Write).
 All other speeds (X-Bus, NVLink, PCIe, IB) are bi-directional.